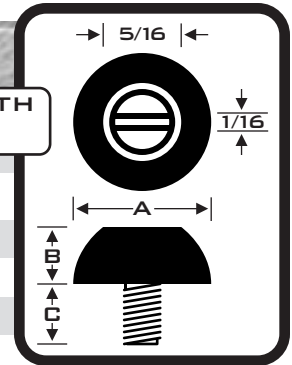
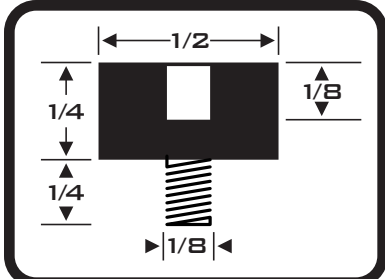


TACK BUMPERS

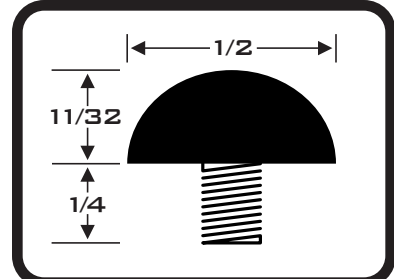
SLOT DEPTH
5/16"



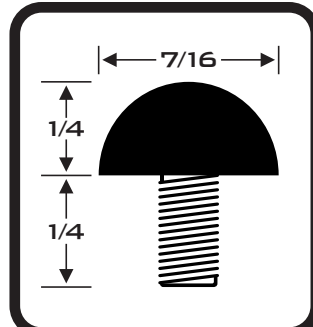
A BUMPER WIDTH	B BUMPER HEIGHT	C SCREW HEIGHT	SCREW SIZE	PART NUMBER
3/4	7/16	1/4	8/32	MR 200-0109
3/4	7/16	3/8	8/32	MR 200-0108
7/8	1/2	1/4	8/32	MR 200-0198



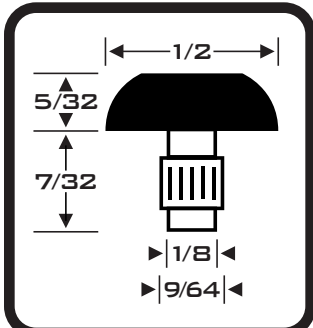
MR 200-0062
6/32 MACHINE SCREW



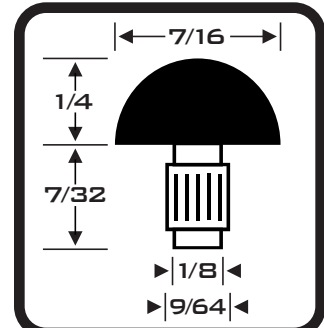
MR 200-0143
8/32 MACHINE SCREW



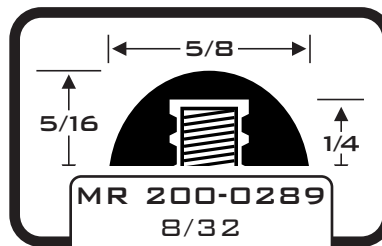
MR 200-0278
6/32 MACHINE SCREW



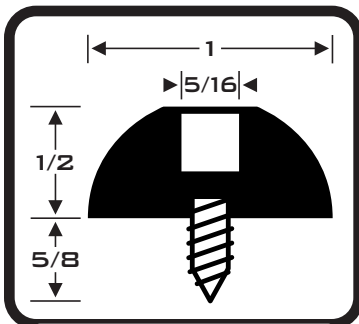
MR 200-0361
KNURLED STUD



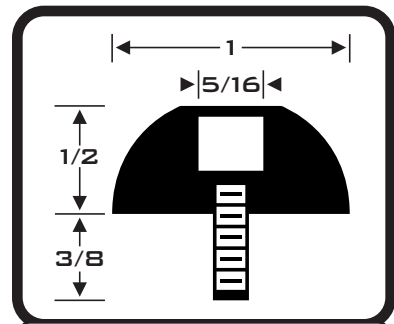
MR 200-0277
KNURLED STUD



MR 200-0289
8/32
BRASS PLATED
STEEL INSERT



MR 200-0178
#10 WOOD SCREW



MR 200-0177
10/32 MACHINE SCREW

WESTERN RUBBER & SUPPLY, INC.

PHONE 800.969.0998 FAX 877.441.9790 WWW.WESTERNRUBBER.COM

